

# Rail fastening system for slab track

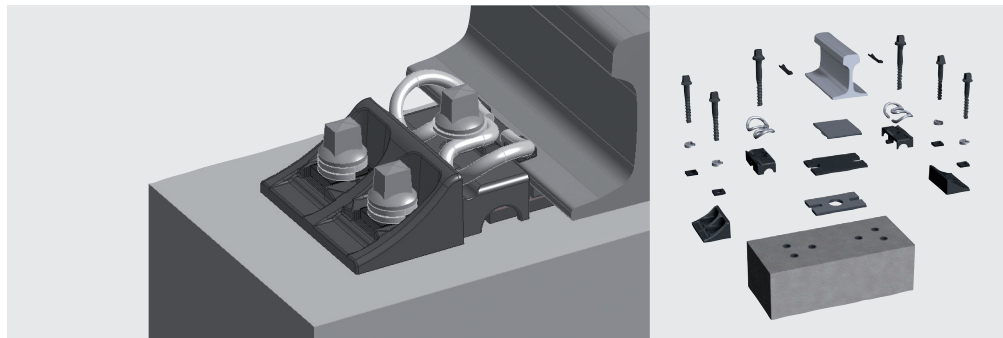
System 306

# Slab track System 306 with tension clamp Skl 20

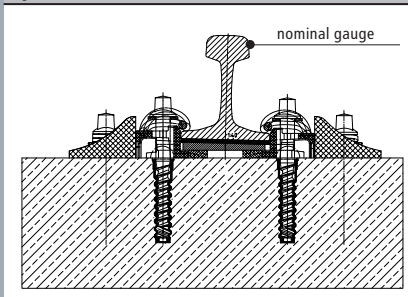
Highly elastic rail fastening system as single support point for use in slab track or sleepers without concrete shoulders on the basis of the reliable System 300.

## FEATURES

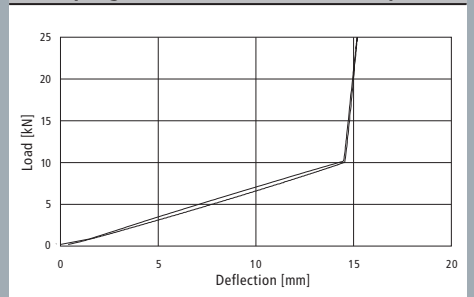
- Skl 20 tension clamp with 2,5 mm fatigue strength
- Adjustable width with double toothed serrated washers
- Height adjustment
- All components are exchangeable
- High elasticity of the pad (20 kN/mm)
- Rail tilting protection by middle bend of the tension clamp



System 306



Load/spring deflection of the tension clamp Skl 20



Vossloh Fastening Systems GmbH  
P.O.Box 18 60  
D-58778 Werdohl  
Phone +49 (0) 23 92/52-0  
Fax +49 (0) 23 92/52-375  
info@vfs.vossloh.com

08.10.GB

[www.vossloh-fastening-systems.de](http://www.vossloh-fastening-systems.de)