

Rail fastening system for concrete sleepers

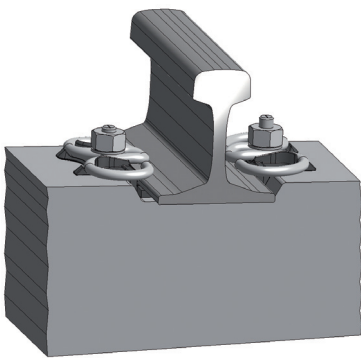
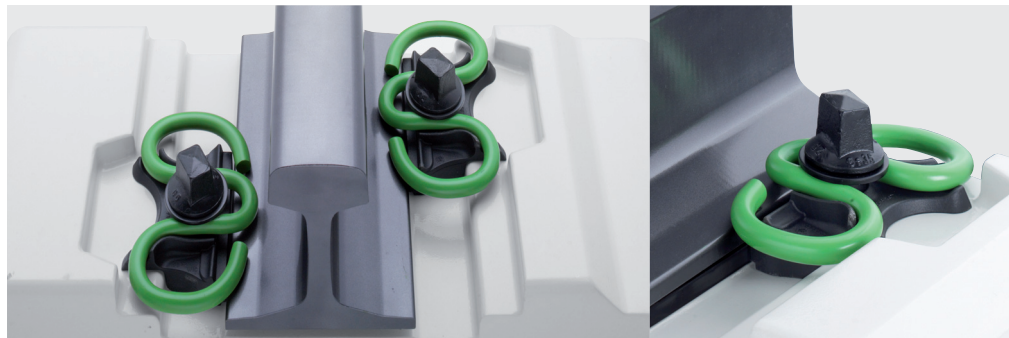
System W 25 N

Rail fastening system W 25 N with tension clamp Skl 25 N

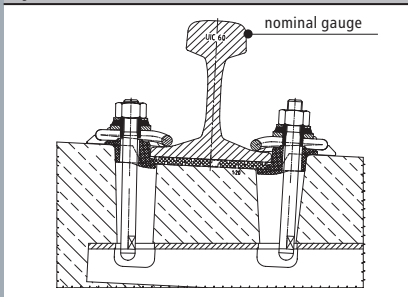
Flat designed rail fastening system for conversion of existing or new concrete sleepers.

FEATURES

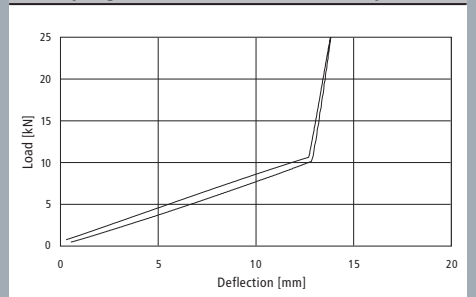
- Skl 25 N tension clamp with 2.0 mm fatigue strength
- Gauge adjustment by exchanging guide plates subjected to rail profile and sleeper type
- Use of elastic rail pads possible
- Installation in embedded tracks (with cover caps)
- Rail tilting protection by middle bend of the tension clamp



System W 25 N



Load/spring deflection of the tension clamp Skl 25 N



Vossloh Fastening Systems GmbH
Postfach 18 60 · D-58778 Werdohl
Telefon +49 (0) 23 92/52-0
Telefax +49 (0) 23 92/52-375
info@vfs.vossloh.com